

## DIY BUILD INSTRUCTIONS – PLITKA DISPRS (PASSIVE MULTIPLE)

First off, thank you for your purchase of the PLITKA DISPRS DIY Kit [PCB and Front Panel]. If you are a DIY Synth novice, you have selected a great module to strengthen your skills. If you are a veteran [or, as we like to say at Tsyklon Labs - "Hero of Synthesizer DIY"], then this kit will be super fun and you will likely have it assembled in mere minutes.

First, let's make sure that you have everything on hand before we heat up the iron. The tools you will need are as follows:

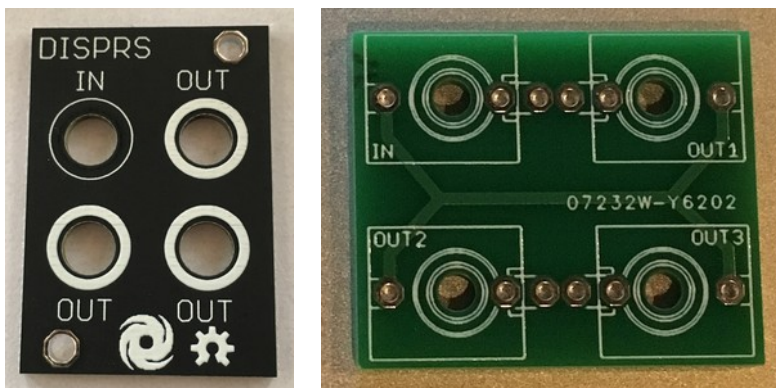
- Soldering Iron and Solder
- Knurled Nut Tool [Xicon 382-0006] or Small Pliers for tightening 3.5mm knurled nuts

You will need the following parts to finish your build:

Qty	Part Description	PCB Component ID	Part Number	Vendor
4	3.5mm Inline Jacks (Thonkiconn Style)	IN_SIGNAL, OUT1_SIGNALI-3	PJ30IM-I2	Various
4	3.5mm Knurled Nuts	IN_SIGNAL, OUT_SIGNALI-3	3.5mm Knurled Nuts	Various

These jacks are available from Thonk, Modular Addict, Synthrotek, and Erthenvar. Most vendors sell the nuts with the jacks, but check to be certain you have all of the parts that you will need.

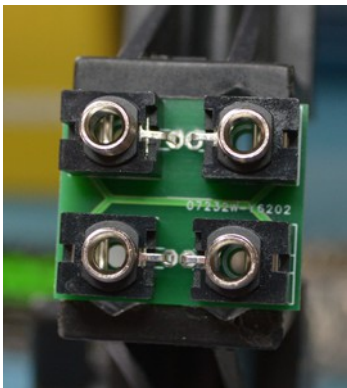
1) First, take a look at the Front Panel and PCB to make sure that everything looks good (printing, traces, etc.):



2) And the reverse side of the PCB:



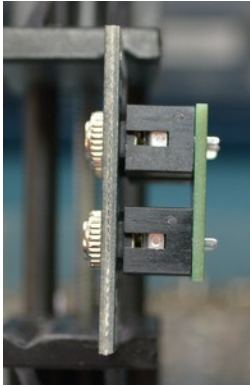
3) Install the jacks into the front side of the PCB - DO NOT solder the jacks at this time. Note, the ground pin for the jack is the one outside of the molded plastic part of the jack. This is the pin that goes towards the center of the PCB:



4) Once you have the jacks seated, install the front panel and then the jack nuts. This will keep everything together while you solder the pins to the PCB. Tighten the nuts until they are snug - no need to go crazy tight on them. If you are using pliers instead of a Knurled Nut Tool, be careful not to scratch the front panel:



5) Once last check/adjustment before soldering - double check that all of the jacks are still seated against the PCB. If so, you are good to go. If not, jiggle the jacks (technical term) to make sure that they are seated. You may need to loosen the jacks a little bit to get it right - but do not forget to re-tighten them!



6) Solder the jacks to the PCB. Do not forget to clean up the flux - if that is what you are into:



7) That's it! While the front panel is labeled with one IN and three OUT jacks, it is a passive multiple - so any jack can be the IN jack and the rest will be OUT jacks. Job well done, Udarnik! Enjoy the fruit of your labors - get patching!

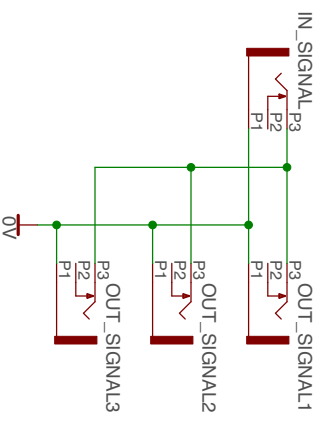
Document Published: 14 MARCH 2017

## INTERPRETING COMPONENT DESIGNATIONS FOR TSYKLON LABS MODULES

As much as possible, we have tried to be very consistent with how our components are labeled on our Printed Circuit Boards [PCBs]. Aside from being consistent component to component, PCB to PCB, and module to module within our own products – we have also done as much as possible to be consistent with standard naming conventions used by other module designers. The table below lists component types and their designations. We will use 000 in place of the identification numbers normally used so that you can see what the component number will look like. Most prefixes are one to two characters long, but can occasionally be three characters.

COMPONENT ID	EXAMPLE	COMPONENT TYPE
R	R000	Resistor
C	C000	Capacitor
PB	PB_RESET	Push Button
SW	SW_INVERT	Switch [Toggle]
VR	VR000	Variable Resistor [Potentiometer or Trimmer]
LED	LED000	Light Emitting Diode
D	D000	Diode
Q	Q000	Transistor [BJT, FET, or MOSFET]
IC	IC000	Integrated Circuit
MHDR	MHDR_NBL	Male Header
FHDR	FHDR_NBL	Female Header
FB	FB000	Ferrite Bead
XTAL	CLK_XTAL	Quartz Crystal
REG	IOVREG	Voltage Regulator
PF	PF000	Resettable Poly Fuse
POWER	POWER	Power Header [2x5 or 2x8]
L	L000	Inductor

With regard to the numeric part of the component designation – 100 series numbers are for the PCB closest to the Front Panel. 200 series numbers are the next PCB behind the first, 300 series belong to the PCB behind that. While it would make sense that 400 series component numbers are for the next PCB behind that, in some cases those components are on the PCB for the expander module. Make sense? Great, go forth and build!



**TSYKLON LABS**

DOCS: <http://tsyklon.com/piltka/>  
SKU : Disp'r5 v2.1

DATE: 23 NOVEMBER 2016

Sheet: 1/1